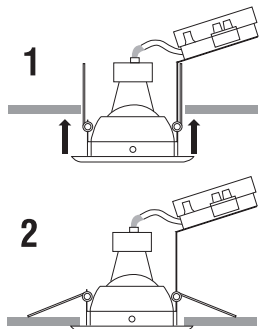


Commissioning

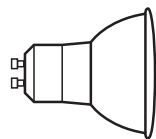
- The ceiling surface must be flat and smooth to ensure a good fit.
- Push the spring clips upwards and fit the two longer arms into the ceiling hole. See diagram 1.
- Push the unit up until firmly in position, ensuring that the cable is not trapped. See diagram 2.
- Adjust the tilt before switching on.



Fitting/replacing bulbs

- When changing a bulb, always switch off at the mains and allow the bulb to cool before handling. Used bulbs should not be disposed of with household waste. Please recycle where facilities exist.
- Always use the correct type and wattage bulb. Using the incorrect wattage bulb will damage the product.
- Use a soft cloth to handle bulbs, avoid directly touching the bulbs as this will shorten their life.
- Unclip the front bezel and let the bulb drop out.
- Twist the pins into the lampholder, and twist back into the product.
- Clip the front bezel back in position.

Max. 50W GU10



- We recommend cleaning with a soft dry cloth. Do not use solvents or abrasive cleaners as these could damage the finish.

Recycling advice



Waste electrical products should not be disposed of with household waste. Please recycle where facilities exist. Check with your Local Authority or retailer for recycling advice.

Safety information

For your safety, always switch off the power supply before changing lightbulbs, or cleaning.

Instruction leaflet

Tetra Recessed

52403, 52404, 52405



Thank you for purchasing this light fitting. Please read the instructions carefully before use to ensure safe and satisfactory operation of this product. Please retain these instructions for future reference.

Warning

 **This product is Double Insulated and does not require connection to an Earth circuit.**

Please read these instructions carefully before commencing any work.

This unit must be fitted by a competent and qualified electrician.

Install in accordance with IEE Wiring regulations and current Building Regulations.

To prevent electrocution switch off at mains supply before installing or maintaining this fitting. Ensure other persons cannot restore the electrical supply without your knowledge.

This light fitting should be connected to a fused circuit.

If replacing an existing fitting, make a careful note of the connections.

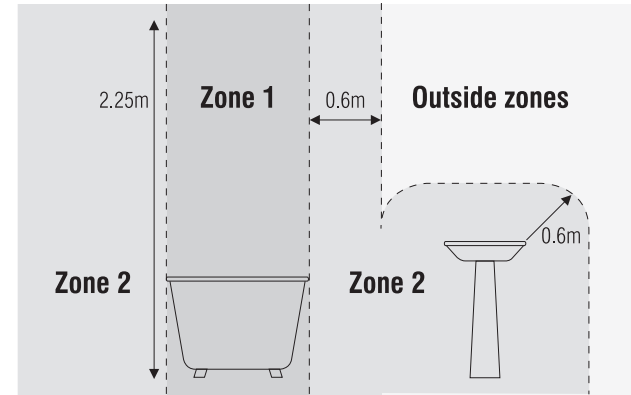
Always use the correct type and wattage bulb. Never exceed the wattage stated.

When changing a bulb, always switch off at the mains and allow the old bulb to cool down before handling.

Dispose of used bulbs carefully and responsibly.

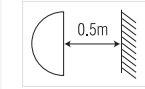
This product is suitable for dimming when used in conjunction with a dimmable lamp. Always check dimming capability of the intended lamps.

Waste electrical products should not be disposed of with household waste. Please recycle where facilities exist. Check with your local authority or retailer for recycling advice.



This product is suitable for use in outside Zones of a bathroom only. See diagram.

If this unit is being fitted in a room containing a bath or shower, a 30mA RCD must be used - in accordance with IEE regulations.



Spotlights give a concentrated beam of light and must not be positioned any closer than 0.5M (50cm) to the illuminated surface.

Specification

Voltage:	220-240V~ 50Hz
Lamp:	52403 - 1 x Max. 50W GU10 52404 - 2 x Max. 50W GU10 52405 - 3 x Max. 50W GU10
IP rating:	20

Layout

- Plan the desired layout of these fittings carefully, ensuring the cables will reach the distances between the connector block and each light fitting.
- Avoid locating any cables in positions that would cause a hazard. Position cables and junction boxes (not supplied) away from areas where they may be at risk from being cut, trapped or damaged.
- The supply cable must have a minimum cross sectional area of 1.0mm²
- The distance between units must be 0.5m minimum.
- The unit must be located a minimum distance of 100mm from a joist
- This product must be mounted out of arms reach.
- This product has no special protection against the ingress of moisture.

Installation

Existing fittings must be completely removed before installation of a new product. Before removing the existing fitting, **carefully note the position of each set of wires.**

- Cut the correct sizes hole using an appropriate tool:

52403	:	80mm diameter
52404	:	80mm x 165mm
52405	:	80mm x 245mm
- Ensure that the void depth is a minimum of 150mm
- It is recommended to cut the hole slightly smaller

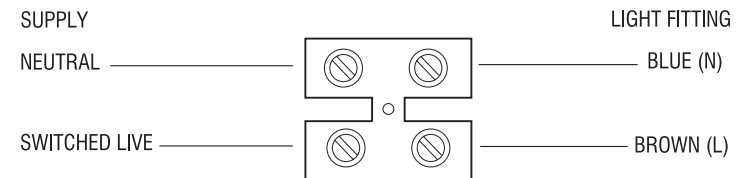
than needed, then file the hole until the recessed unit fits snugly.

- Ensure that the terminal block bracket is fitted with the terminal block pointing away from the lamp
- Wire as detailed below.

Wiring

This product is double insulated and must not be earthed. If there are any incoming earth cables, they must be joined together and well insulated with good quality insulation tape. This is to ensure earth continuity throughout your property.

Having correctly identified the wiring from your existing light fitting and connect to the connection block inside the product in the following way:



Check that...

- You have correctly identified the wires
- The connections are tight
- No loose strands have been left out of the connection block.